



Engineering the Planet

**Best in cost,  
long service life**

Pivot valves for brake systems

DECADES OF EXPERIENCE

## Global leader in commercial vehicle brake system components

For decades, ETO has been a leading developer and supplier of pneumatic and hydraulic solenoid valves, actuators, and sensors for medium and heavy-duty vehicles as well as trailers. These components play key roles in air suspensions, transmissions, brakes, and air treatment systems. ETO is the global market leader in ABS and EBS components, focusing on economy, environmental protection, safety, and comfort.



ETO IS YOUR INNOVATIVE PARTNER

## Innovative strength, industrialization expertise and maximum quality

ETO has enormous experience in the areas of development, customized specification and industrialization in large series. We have the highest quality and automatization standards worldwide - with single-digit error rates per million parts produced.

Whether valves, sensors and actuators for H<sub>2</sub> combustion engines or for H<sub>2</sub> fuel cell drives - ETO is prepared for all types of commercial vehicle developments. We are the innovative partner at your side.





ETO CHINA IS IDEALLY POSITIONED - FOR CHINA

# We understand customer focus. Literally.

The relation and geographical proximity to our customers is very important for us. Therefore we are operating two state-of-the-art plants in China with a wide range of innovative products for passenger cars and commercial vehicles as well as industrial applications.

## Kunshan



**Max Chen**  
Engineering Director  
ETO MAGNETIC TECHNOLOGIES  
(Kunshan) Co., Ltd.

Telephone: +86 512 57909000-171  
Email: m.chen@etogruppe.com

### Site profile of Kunshan

Founding year	2005
Number of employees	101 - 500
Focus areas	Production and distribution
Managing Director	Roland Jing
Products for	Automotive Commercial vehicles Industry applications

- Production
- Distribution
- Production and distribution

## LuAn



**Derick Shao**  
Application Engineer  
ETO MAGNETIC TECHNOLOGIES  
(LuAn) Co., Ltd.

Telephone: +86 512 57909000-358  
Email: d.shao@etogruppe.com

### Site profile of LuAn

Founding year	2024
Number of employees	30 - 100
Focus areas	Production
Managing Director	Gary He
Products for	Automotive Commercial vehicles Industry applications

# Everything, really everything speaks in favor of this valve

Are you developing a brake system or transmission for a new type of commercial vehicle, trailer or bus? Opt for the new pivot valve from ETO - manufactured in China for Chinese commercial vehicle manufacturers. You won't find anything better in China or somewhere else.



## Applications

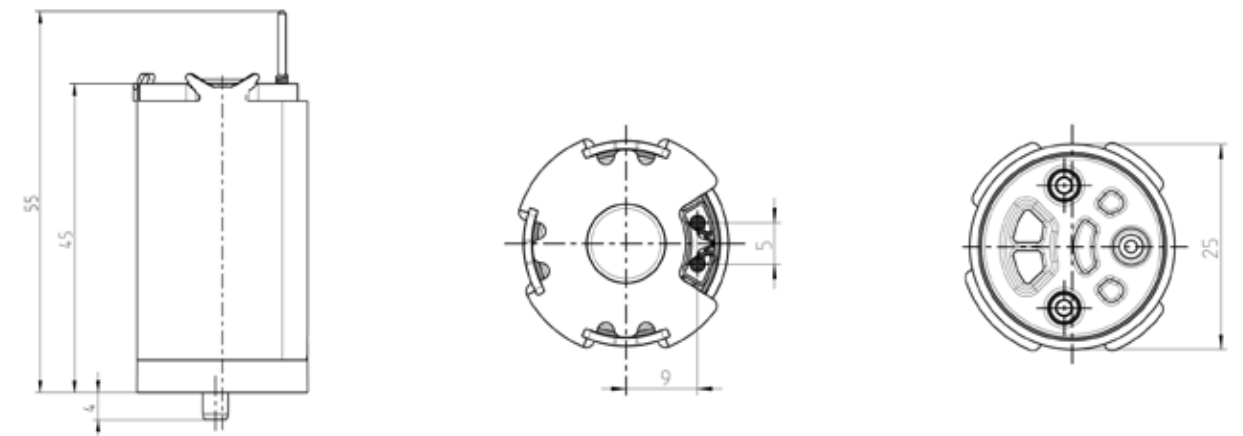
- > Braking systems for commercial vehicles

## Customer benefits:

- > High service life: 200 mio. switches; + 25 % durability compared to other pivot valves
- > Extremely compact design & low weight
- > Also possible as a stand alone valve in modules, systems or housing solutions
- > Ideal price-performance ratio
- > Specifications possible with regard to flow rates or coil resistance
- > Quality from the global market leader in commercial vehicle components for ABS & EBS systems

# We could have also called it a worry-free valve

Why do you need a pivot valve that performs 25% more switches than others? Because you know that commercial vehicles that use driver assistance systems or are autonomously controlled brake and shift gear very differently than human drivers do. Therefore, your future developments in the commercial vehicle sector simply need a reserve of shifting volume. With ETO, you can get it today at yesterday's cost.



## Features and valve functions:

- > 2/2 NC (normally closed)
- > 2/2 NO (normally open)
- > 3/2 NC

## Pneumatic 2/2- and 3/2-way pivot valves

Switching time (electric)	< 10 ms
Nominal diameter	Up to 2,5 mm ≤ 3,5 mm (planed)
Pressure range	0 - 13 bar
Nominal voltage	12, 24 V DC
Resistance	3.6 - 19.0 Ohms
Ambient temperature	-40 °C - 105 °C
Protection class	IP22
Optional sealing	PFAS Free

**We look forward to work with you:**

ETO MAGNETIC TECHNOLOGIES (Kunshan) Co., Ltd.  
Dujuan Road 555  
215331 Kunshan  
Building A8  
CHINA

**Business Development**

Steven Ding  
Telephone: +86-1370 6100 771  
Email: s.ding@etogruppe.com

**Engineering**

Max Chen  
Telephone: +86 512 57909000-171  
Email: m.chen@etogruppe.com

ETO MAGNETIC TECHNOLOGIES (LuAn) Co., Ltd.  
No.18 Jingangtai Road Economic development zone Jinzhai county  
LuAn City, Anhui Province, P.R. China  
Post Code: 237300

**Business Development**

Yu Yang  
Telephone: +86-1536 6260 205  
Email: y.yu@etogruppe.com

**Engineering**

Derick Shao  
Telephone: +86 512 57909000-358  
Email: d.shao@etogruppe.com

**Get ETO China on board for your next commercial vehicle project.**