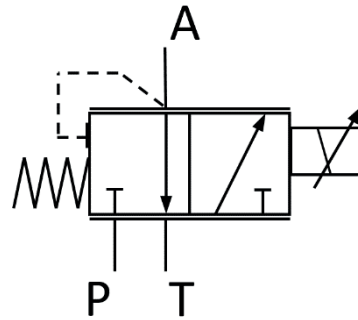
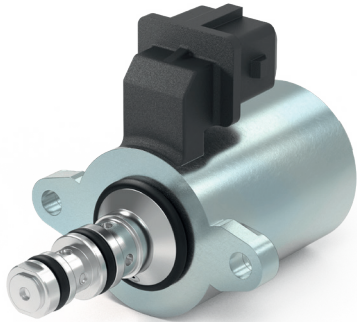


Proportional Pressure Control Valve - PPCV 2.5

Direct controlled



Technical data

Hydraulic data

Max. pressure pump	60 bar
Max. pressure tank	25 bar
Max. pressure work	18 bar
Hysteresis	< 3 %
Leakage (with HLP46 @50°C)	< 0,05 l/min (energized & de-energized)
Temperature range fluid	-20 °C to +120 °C
Fluid	Mineral oil acc. DIN 51524
Contamination level	Min. Filtration: 20/18/15 acc. ISO 4406

Electric data

Voltage (DC)	12 V
Max. current	1650 mA
Resistance	4,0 Ω ± 5 % (@ 20 °C)
Type of control	Current control PWM 100 – 175 Hz
Connector	AMP Junior Timer (IP65) Deutsch DT04-2P
Protection class	IP65/IP69
Switching time	$T_{on} < 50 \text{ ms}$ (0 - 90 %) $T_{off} < 50 \text{ ms}$ (100 - 10 %)

Applications

Agricultural-, construction-, forestry machine, material handling

- Pilot operated directional spool valves
- Hydraulic variable displacement pumps

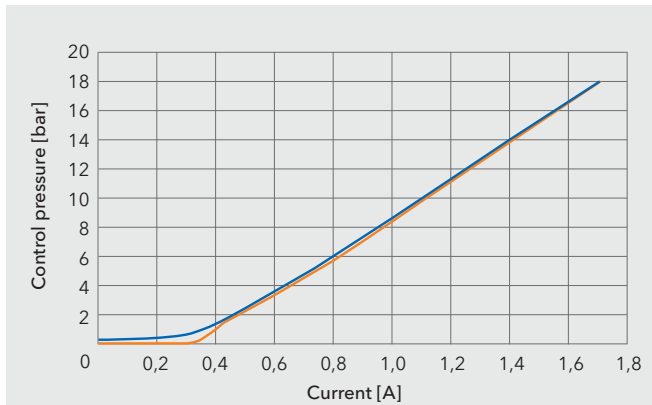
Customer Benefits

- Sensitive & agile operation
- High energy efficiency
- Plug & play ready
- High reproducibility

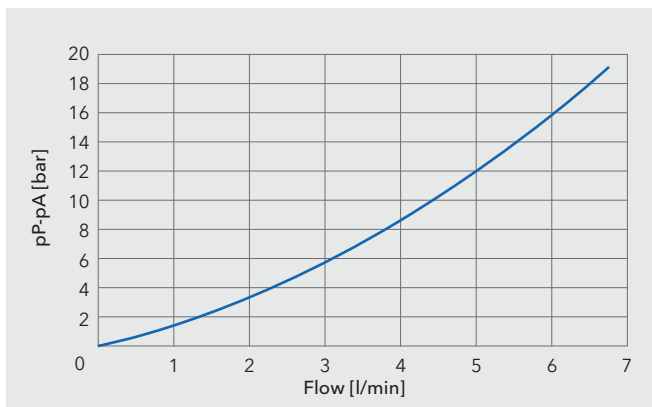
Features

- Further performance characteristics on demand
- Optional filterscreen (in port P)

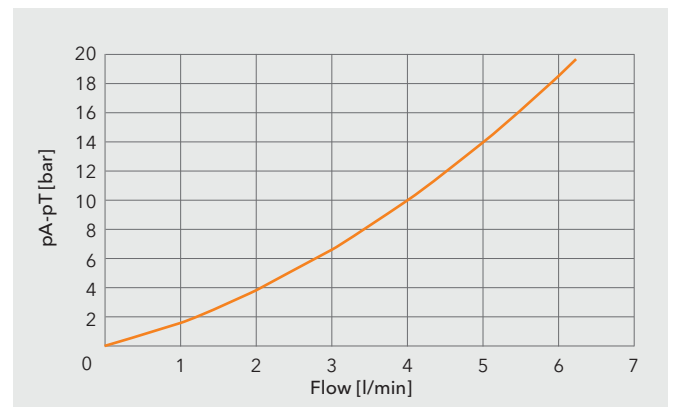
Pressure vs. current (PWM=105 Hz)



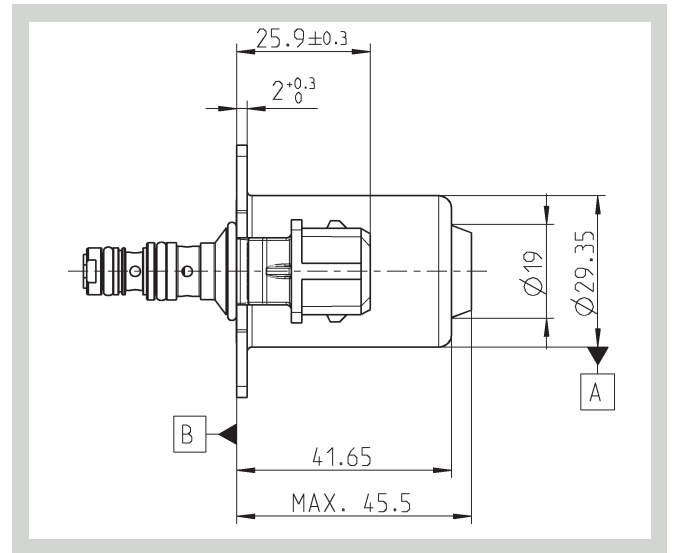
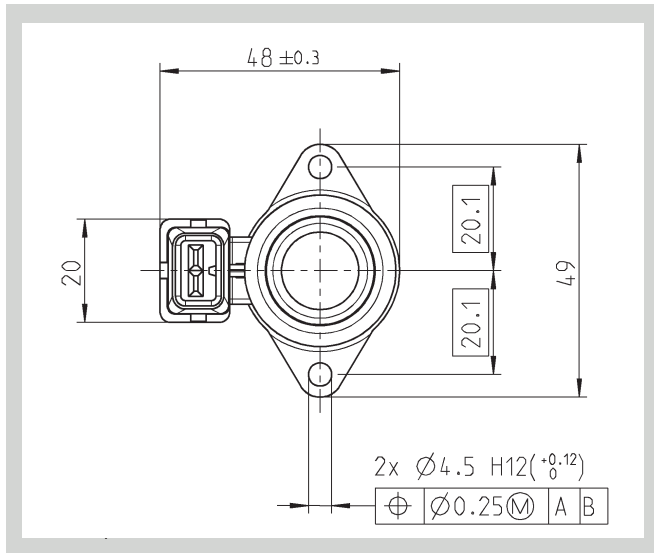
Pressure drop Pump to control port (P→A)



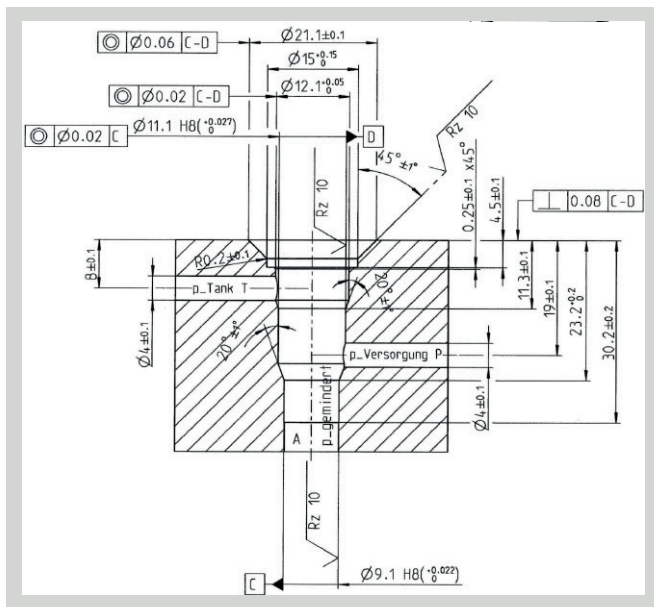
Pressure drop Pump to control port (A→T)



Dimensions* with AMP Jr. [mm]



Cavity [mm]



* Dimensions for Deutsch connectors on request

Detailed information required?

ETO GRUPPE TECHNOLOGIES GmbH
 Hardtring 8, 78333 Stockach, Germany
 Phone: +49 7771 809-0
 info@etogruppe.com

Disclaimer

The presented information is based on current knowledge and provides only non-binding information to the customer. Any liability in connection with this information is excluded.